

NO. E1FB-3617

ISSUED: OCT.2011

REVISED: FEB.2012



**HOSHIZAKI
MODULAR CUBER**

**MODEL IM-45NE
IM-45NE-25
IM-45WNE
IM-45WNE-25**

PARTS LIST

[HE, GRAM]

A-1 NOV. 2011
B-0 JAN. 2012

AUXILIARY CODE

U - 1

The auxiliary code is the first two characters in the serial number. The first character indicates the production year. Years progress or regress in alphabetical order. The series of letters and skipped letters depend on UL listing, production, and model. See the auxiliary code(s) and corresponding year(s) on the front cover.

The second character indicates significant part changes within the same year. Base is "1" and this number advances for each change. If there is no significant part change at the turn of the year, this number starts from "0."

MARKS LOCATED UNDER THE AUXILIARY CODE

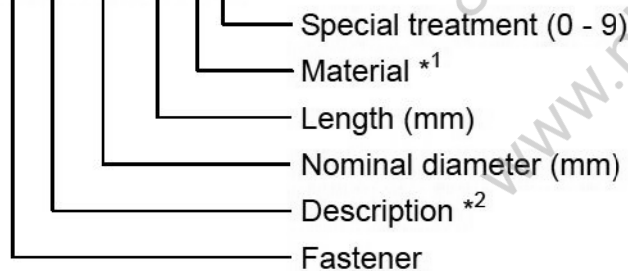
- = Part deleted.
- x = Part deleted and replaced by "o" part.
- o = New part in place of "x" part.

FASTENER PART NUMBER

SCREWS



F S T 0 3 0 6 F 0

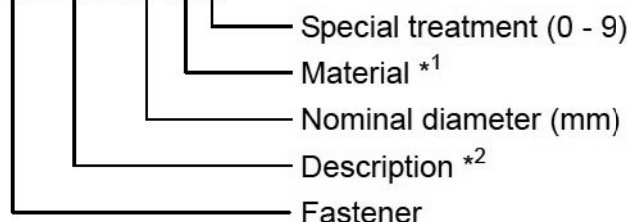


*1 **Material**

- F: Steel
- S: Austenitic stainless steel
- M: Martensitic stainless steel
- B: Copper alloy
- P: Polycarbonate
- N: Polyamide
- V: PVC
- A: ABS
- X: Polyacetal
- L: Aluminum

NUTS & WASHERS

F W S P 0 5 S 0



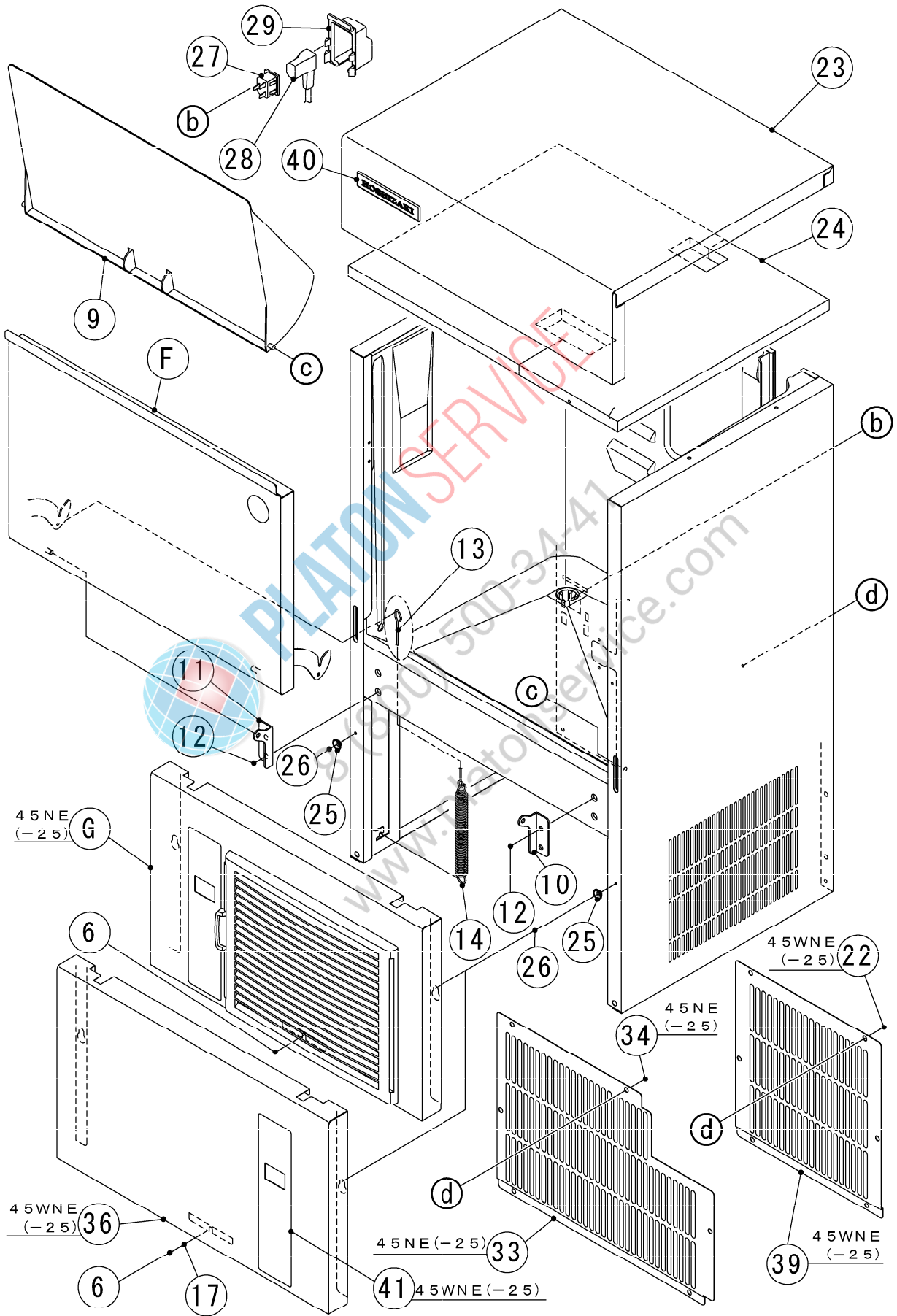
*2 **Description**

- First letter
- S: Machine screw
- T: Tapping screw
- M: Wood screw
- B: Bolt
- W: Washer
- N: Nut

IM-45NE
IM-45NE-25
IM-45WNE
IM-45WNE-25

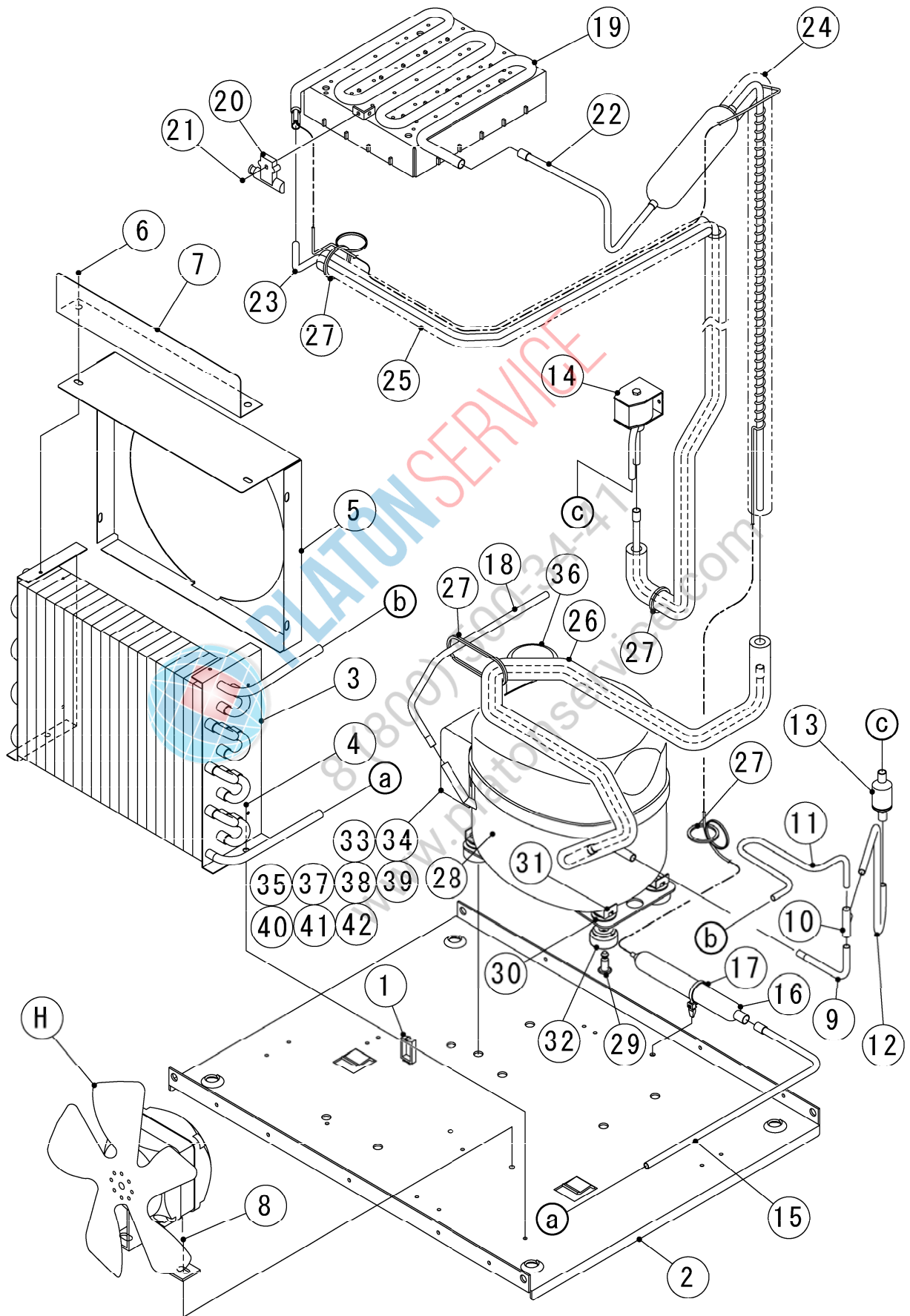
A. ICE CUBER ASSY (2/2)

(A-1) and later



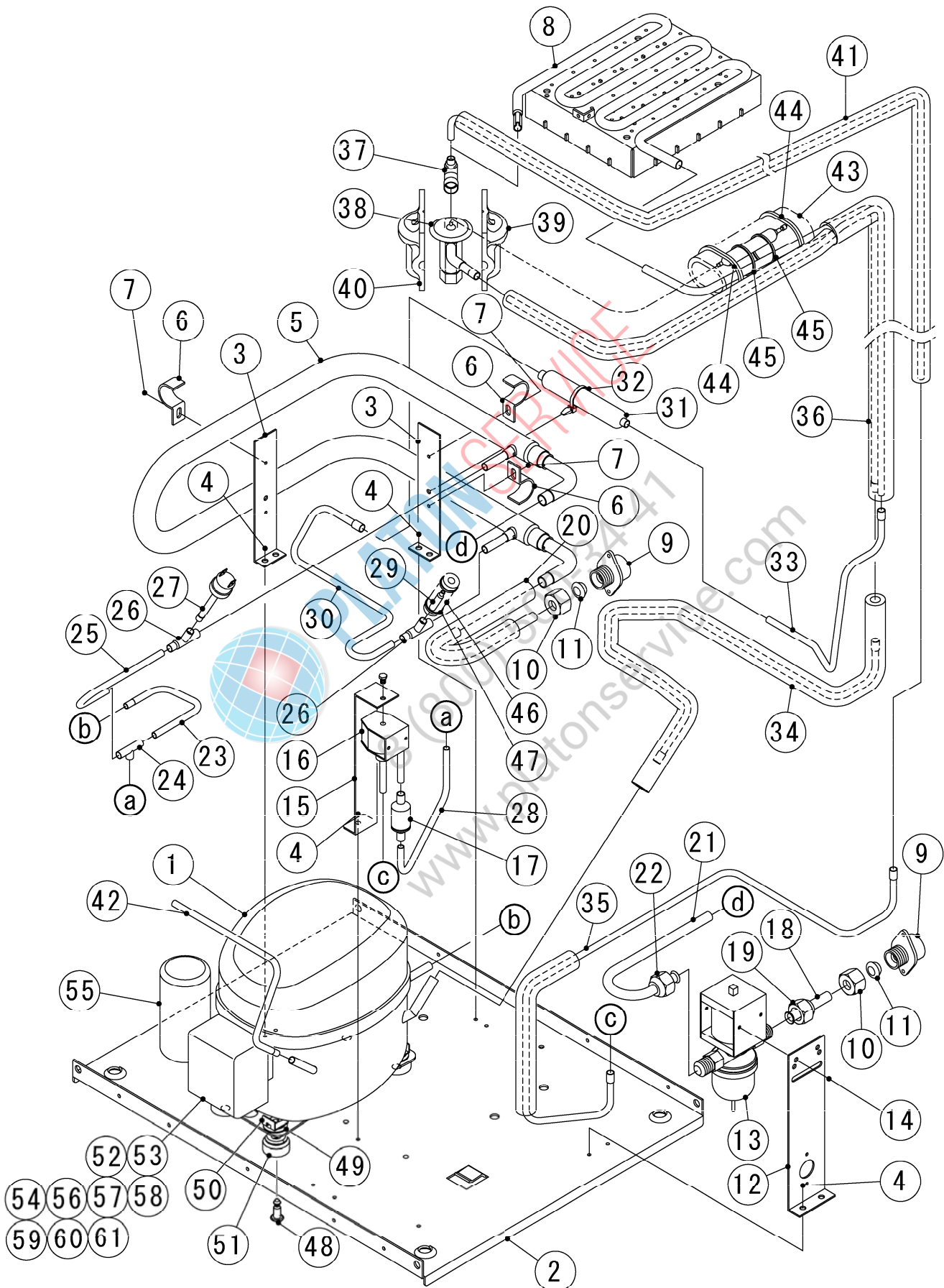
HE,GRAM

MODEL: IM-45NE,IM-45NE-25 IM-45WNE,IM-45WNE-25		TITLE: A.ICE CUBER ASSY					
INDEX NO.	DESCRIPTION	MATERIAL OR MODEL NUMBER	PART NUMBER	REQ'D NUMBER			
				A-1 B-0			
B	REFRIGERATION ASSY	(IM-45NE,-25)	1H4815A01	1			
		(IM-45WNE,-25)	1H4914A01	1			
C	ICE MAKING MECHANISM ASSY		1H4816A01	1			
D	WATER CIRCUIT ASSY	(IM-45NE,-25)	3Y5610A01	1			
		(IM-45WNE,-25)	3Y5610A02	1			
E	CONTROL BOX ASSY		2X0439A01	1			
F	DOOR ASSY		3Y5614A01	1			
G	FRONT PANEL LOWER ASSY	(IM-45NE,-25)	3Y5615A01	1			
1	UNIT FRAME		1H4814G01	1			
2	TRUSS HEAD TAPPING SCREW T2	(IM-45NE,-25)	1H4195Z02	4			
	HEX.TAPPING SCREW W/FLANG	(IM-45WNE,-25)	1H4915Z01	4			
3	TRUSS HEAD TAPPING SCREW T2		FT20410S0	4			
4	FLANGE BOLT (S-TITE)		FTR0408M0	2			
5	DRAIN PAN		2H1440-01	1			
6	TRUSS HEAD TAPPING SCREW (S-TITE)		FTS0408M0	3			
7	DRAIN TUBE		4H2585-01	1			
8	DREIN PIPE		4Y7493P03	1			
9	SLOPE		2H1349-01	1			
10	HINGE (RIGHT)		4H2583-01	1			
11	HINGE (LEFT)		4H2584-01	1			
12	HEX HEAD BOLT (SPRING WASHER AND FLAT WASHER)		FBK0616S0	4			
13	HOOK		404060-10	1			
14	SPRING DOOR		416609-01	1			
15	FRONT FRAME		3H1678-11	1			
16	INSULATION - FRONT FRAME		4H2317-02	1			
17	SPRING WASHER		FWSP04S0	2			
18	TRUSS HEAD MACHINE SCREW		FST0408S0	3			
19	RIVET	SSD42SSBS(t1.6~3.2)	7170-0002	4			
20	INSULATION - BIN		4Y7416P01	1			
21	COVER - PIPE		3Y5869M01	1			
22	TRUSS HEAD TAPPING SCREW T2	(IM-45NE,-25)	FT20408F0	6			
		(IM-45WNE,-25)		14			



HE,GRAM

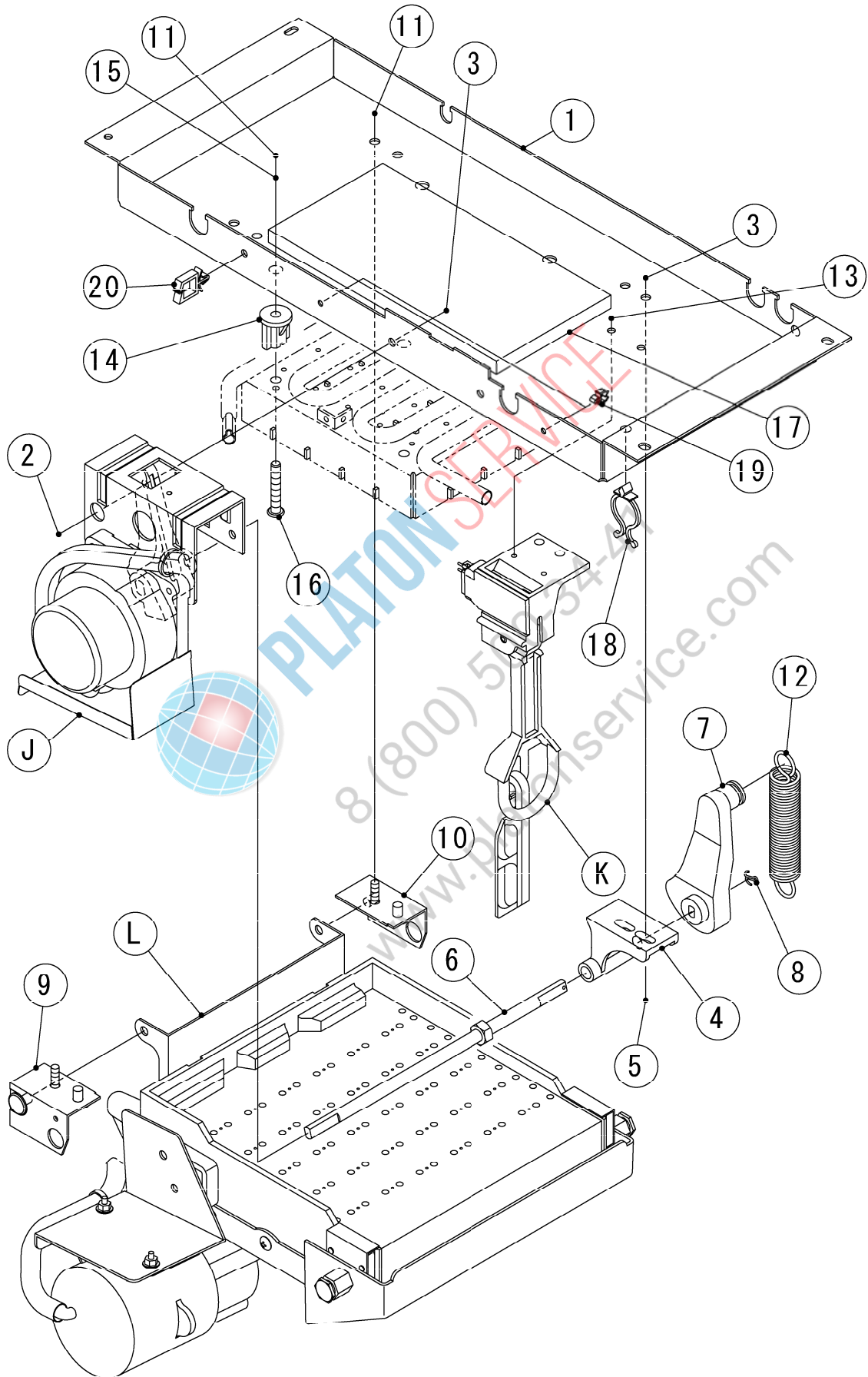
MODEL: IM-45NE,IM-45NE-25		TITLE: B. REFRIGERATION ASSY					
INDEX NO.	DESCRIPTION	MATERIAL OR MODEL NUMBER	PART NUMBER	REQ'D NUMBER			
				A-1 B-0			
H	FAN MOTOR ASSY		3Y5605A01	1			
1	WIRE SADDLE		428060-02	1			
2	BASE		2X0433M01	1			
3	CONDENCER		P02262-01	1			
4	FLANGE BOLT (S-TITE)		FTR0408M0	2			
5	SHROUD		3Y5606M01	1			
6	TRUSS HEAD TAPPING SCREW T2		FT20408F0	6			
7	PLATE - CONDENCER		4Y7159M01	1			
8	HEX HEAD BOLT (SPRING WASHER AND FLAT WASHER)		FBK0612F0	2			
9	PIPE(A) - HIGH SIDE		4Y7160M01	1			
10	TEE		417394-01	1			
11	PIPE(B) - HIGH SIDE		4Y7161M01	1			
12	PIPE(A) - HOT		4Y7162M01	1			
13	STRAINER		P00008-01	1			
14	HOT GAS VALVE		P02539-01	1			
15	PIPE(C) - HIGH SIDE		4Y7163M01	1			
16	DRIER		P00007-01	1			
17	PUSH MOUNT TIE		436156-01	1			
18	PROSESS PIPE		4Y7164M01	1			
19	EVAPORATOR	(IM-45NE)	3H5611G02	1			
		(IM-45NE-25)	3H3941G01	1			
20	HOLDER - THERMISTOR		3H9642-01	1			
21	TRUSS HEAD TAPPING SCREW (S-TITE)		FTS0408M0	1			
22	HEAT EXCHANGER		4Y7168G01	1			
23	PIPE(B) - HOT		3Y5608G01	1			
24	Insulation Tube (Food Sanitation Law)		H81323550	1			
25	INSULATION TUBE		H81020550	1			
26	PIPE(A) - LOW SIDE		3Y5607G01	1			
27	NYLON TIE	CV-100	7920-0002	4			
28	COMPRESSOR	(50Hz)	P02286-01	1			
		(60Hz)	P02617-01	1			
29	PIN		P02605-01	4			
30	WASHER		P02606-01	4			
31	CLAMP		P02607-01	4			



HE

		MODEL: IM-45WNE,IM-45WNE-25	TITLE: B.REFRIGERATION ASSY				
INDEX NO.	DESCRIPTION	MATERIAL OR MODEL NUMBER	PART NUMBER	REQ'D NUMBER			
				A-1 B-0			
1	COMPRESSOR	(50Hz)	P02286-01	1			
	COMPRESSOR	(60Hz)	P02617-01	1			
2	BASE		2X0433M01	1			
3	BRACKET - CONDENSER		4H5731-01	2			
4	FLANGE BOLT (S-TITE)		FTQ0410M0	7			
5	CONDENSER - WATER COOLING		2X0688G01	1			
6	CLAMP(B) - CONDENSER		4H0622-01	3			
7	TRUSS HEAD TAPPING SCREW T2		FT20408F0	3			
8	EVAPORATOR	(IM-45WNE)	3H5611G02	1			
		(IM-45WNE-25)	3H3941G01	1			
9	FITTING(P)		3Y0747-01	2			
10	NUT (A) - FITTING		415713-03	2			
11	TAPPERED PACKING		415715-01	2			
12	BRACKET - WATER REGURATOR		4X5632-01	1			
13	WATER REGULATOR		448082-01	1			
14	TRUSS HEAD MACHINE SCREW		FST0406S0	2			
15	BRACKET - HOT GAS VALVE		4H5186-01	1			
16	HOT GAS VALVE		P02539-01	1			
17	STRAINER		P00008-01	1			
18	PIPE(C) - WATER		4Y7391M01	1			
19	FLARE NUT	3*8	456441F01	1			
20	PIPE(A) - WATER		4Y7392G01	1			
21	PIPE(B) - WATER		4Y7393M01	1			
22	FLARE NUT	3*8	456441F01	1			
23	PIPE(A) - HIGH SIDE		4Y7394M01	1			
24	TEE		417394-01	1			
25	PIPE(B) - HIGH SIDE		4Y7395M01	1			
26	TEE		420041-03	2			
27	PRESSURE SWITCH	R134a,R22,R404A	459863-01	1			
28	PIPE(A) - HOT GAS		4Y7396M01	1			
29	SLEEVE		441322-01	1			
30	PIPE(C) - HIGH SIDE		4Y7397M01	1			
31	DRIER		445655-03	1			
32	PUSH MOUNT TIE		436156-01	1			
33	PIPE(D) - HIGH SIDE		4Y7398M01	1			
34	PIPE(A) - LOW SIDE		3Y5934G01	1			

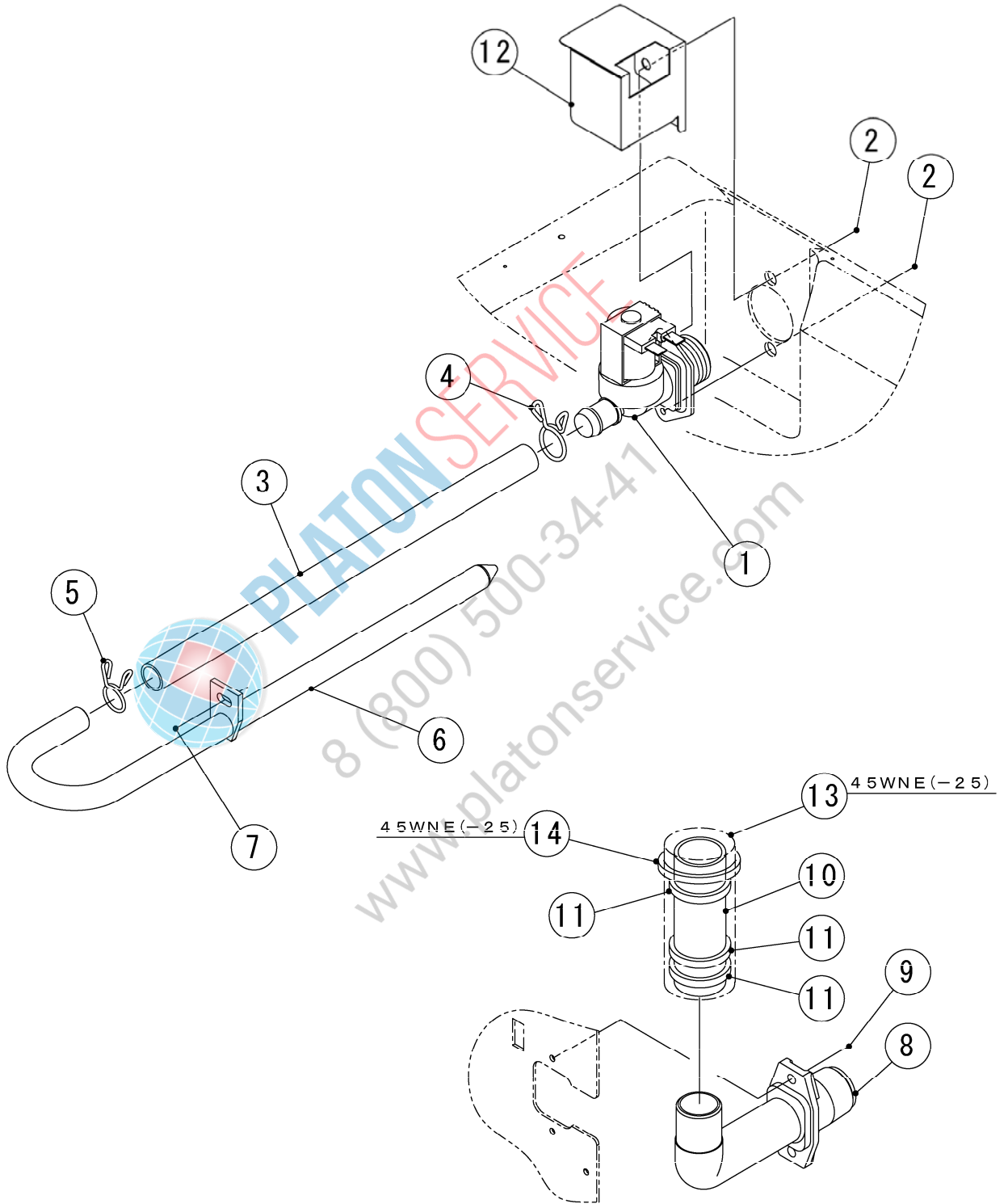
IM-45NE
 IM-45NE-25
 IM-45WNE
 IM-45WNE-25 C. ICE MAKING MACHANISM ASSY (A-1) and later



IM-45NE
 IM-45NE-25
 IM-45WNE
 IM-45WNE-25
 IM-45CNE
 IM-45CNE-25

D. WATER CIRCUIT ASSY

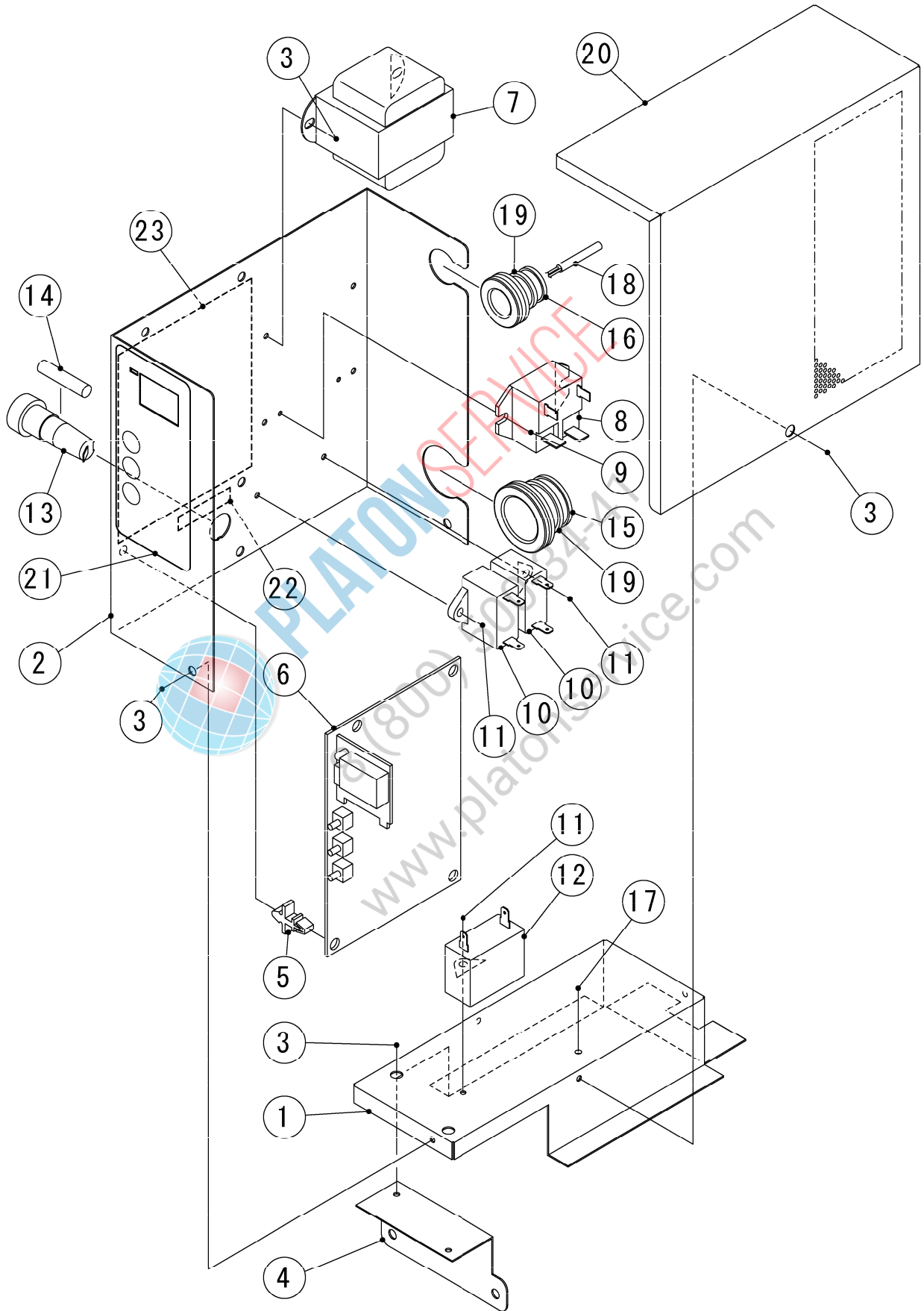
(A-1) and later



IM-45NE
IM-45NE-25
IM-45WNE
IM-45WNE-25
IM-45CNE
IM-45CNE-25

E. CONTROL BOX ASSY

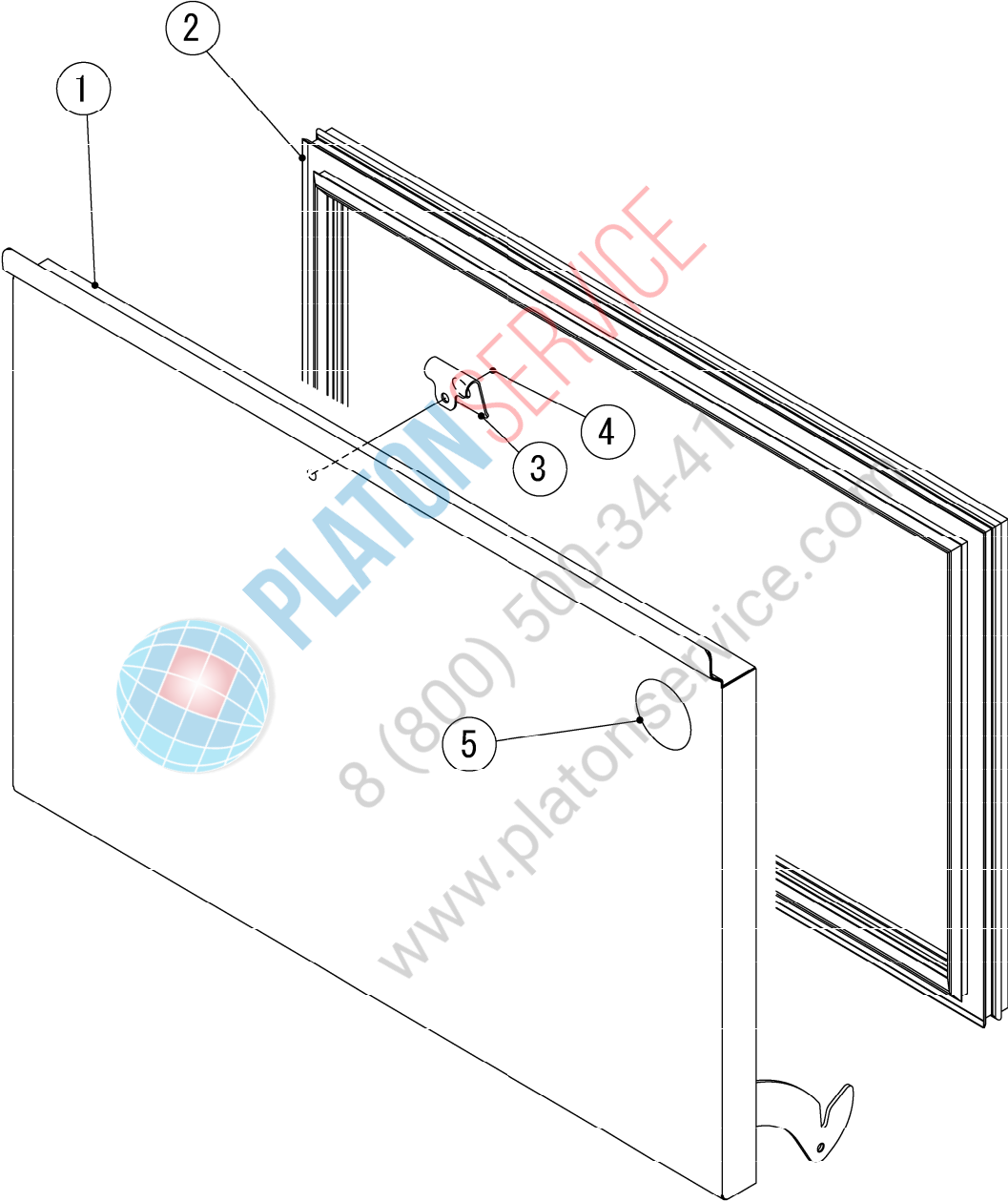
(A-1) and later



IM-45NE
IM-45NE-25
IM-45WNE
IM-45WNE-25

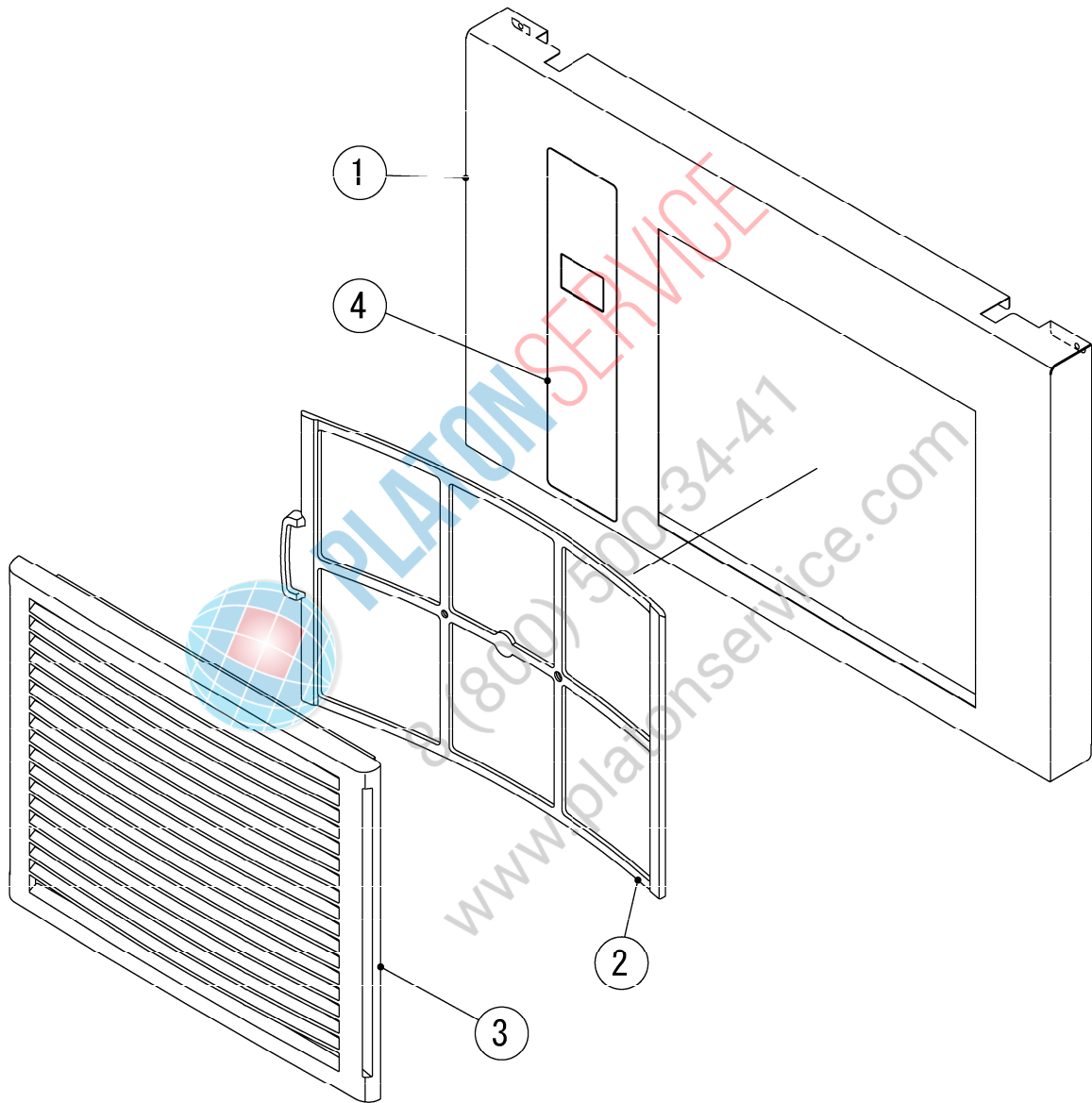
F. DOOR ASSY

(A-1) and later



HE, GRAM

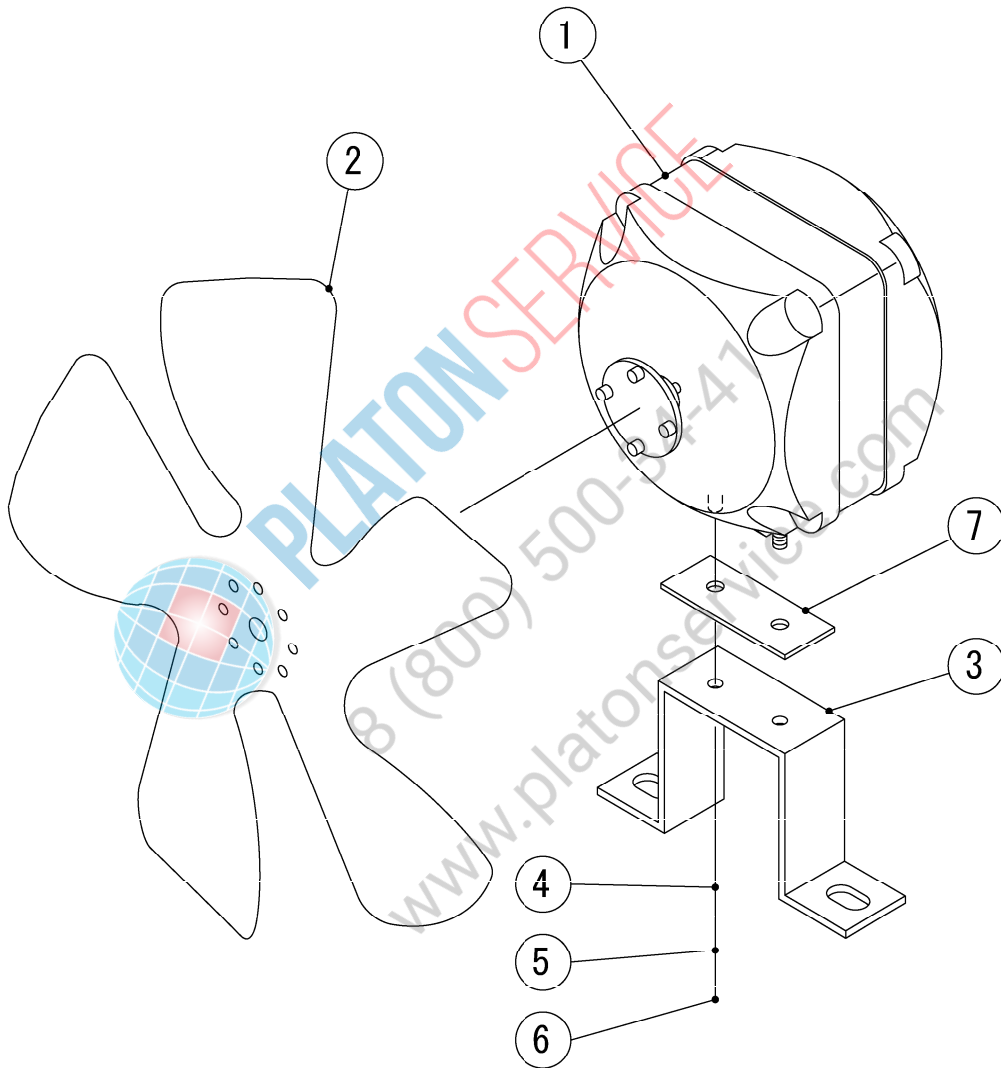
MODEL: IM-45NE,IM-45NE-25 IM-45WNE,IM-45WNE-25				TITLE: F.DOOR ASSY			
INDEX NO.	DESCRIPTION	MATERIAL OR MODEL NUMBER	PART NUMBER	REQ'D NUMBER			
				A-1 B-0			
1	DOOR - INSULATION	(HE) Including No. 5	3Y5613G01	1			
		(GRAM)	3Y5613001	1			
2	DOOR GASKET		3X6199P02	1			
3	CATCH - SLOPE		4X7644-01	1			
4	TRUSS HEAD TAPPING SCREW T2		FT20408M0	1			
5	LABEL - PENGUIN	(HE)	471486L01	1			



IM-45NE
IM-45NE-25
IM-45CNE
IM-45CNE-25

H. FAN MOTOR ASSY

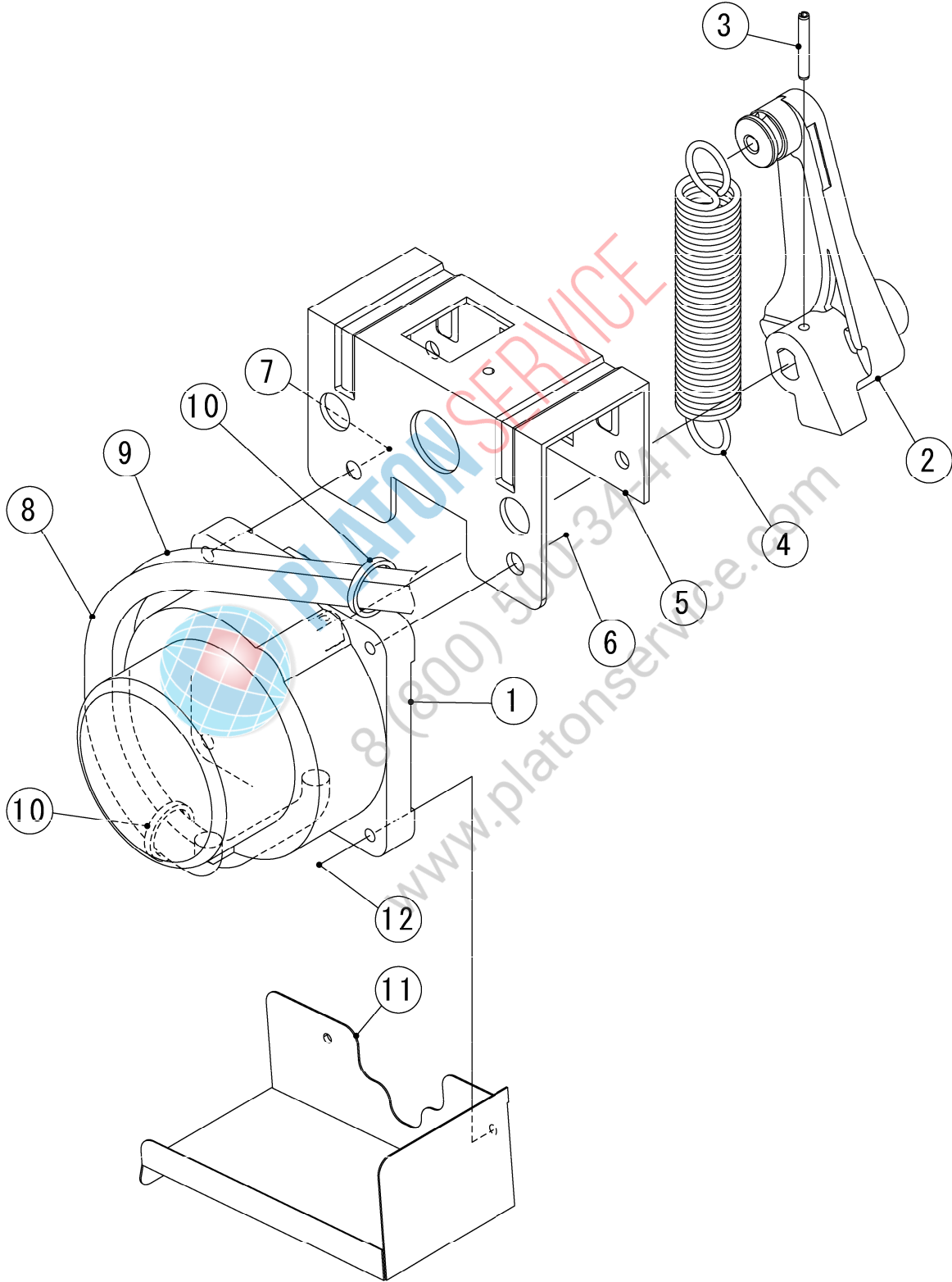
(A-1) and later



IM-45NE
IM-45NE-25
IM-45WNE
IM-45WNE-25
IM-45CNE
IM-45CNE-25

J. ACTUATOR MOTOR ASSY

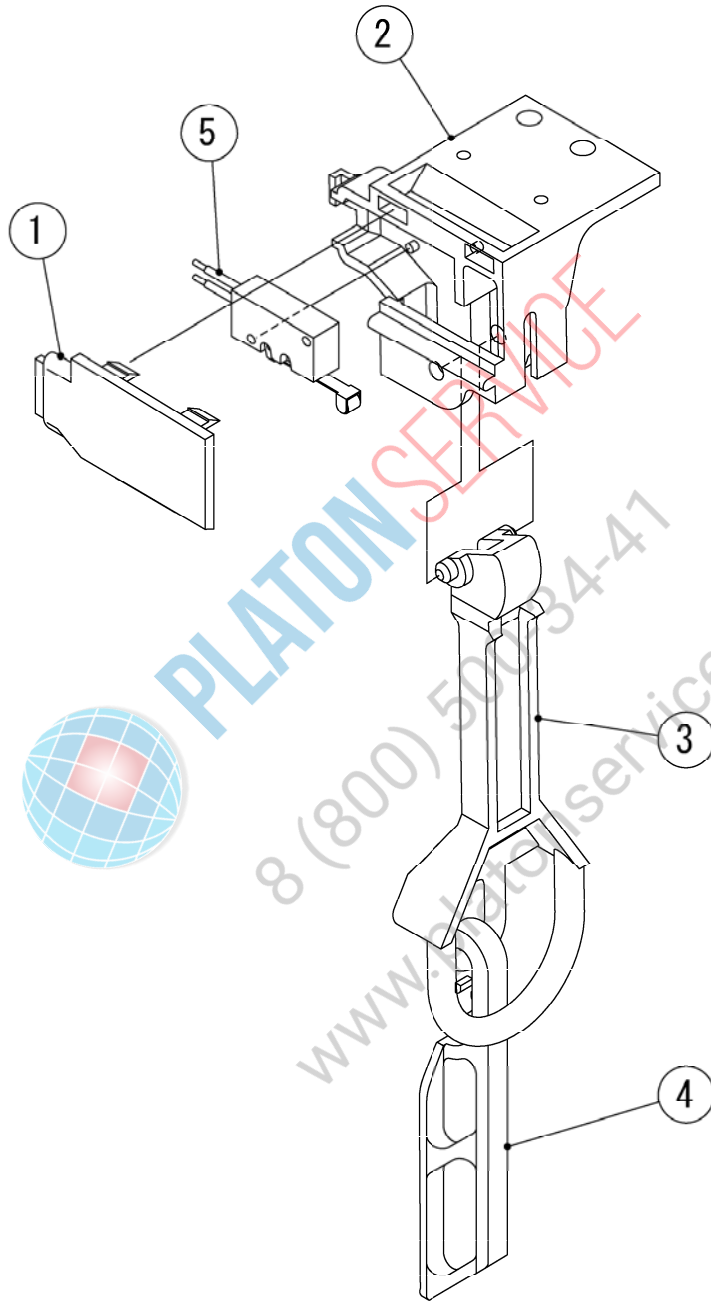
(A-1) and later



IM-45NE
IM-45NE-25
IM-45WNE
IM-45WNE-25

K. BIN CONTROL SWITCH

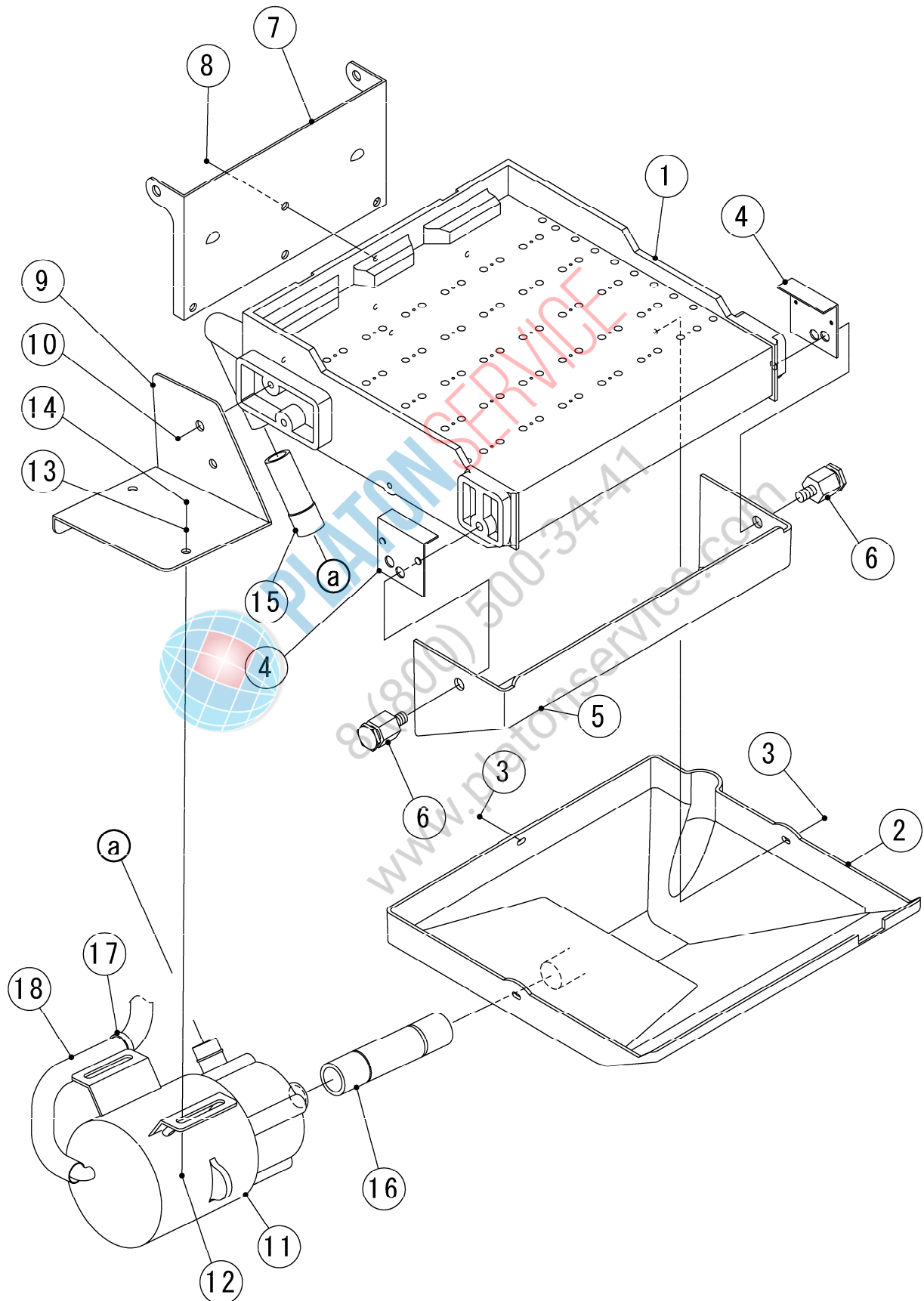
(A-1) and later



IM-45NE
IM-45NE-25
IM-45WNE
IM-45WNE-25
IM-45CNE
IM-45CNE-25

L. WATER PAN ASSY

(A-1) and later



IM-45NE
IM-45NE-25
IM-45WNE
IM-45WNE-25
IM-45CNE
IM-45CNE-25

M. ACCESSORIES

(A-1) and later

